

Rim Locks - Double Security

4L67E

C-Series BS High Security Rim Lock



Application:

- Recommended by Insurance companies and the police
- For timber doors from 38-57mm thick, hinged on the left or right and opening inwards only
- Suitable for glass panelled doors only

Specification:

- Automatic internal and external deadlocking
- Key operation from the outside. Key lockable knob operation from the inside
- Hardened steel 20mm deadbolt which automatically deadlocks on closing the door
- High security cylinder:
 - Hardened steel plates and pins protect from drill attack
 - Resists torque attack
 - High level of protection against picking and manipulation
- Drill, saw and force resistant
- Backset: 60mm
- Cylinder: 10 disc Ava mechanism
- Keying: May be supplied to differ or to pass
- Key Blank Number: B-K734-M
- Keys supplied: 3 keys
- Available Boxed or Visi Packed
- Available in BLX and PB finishes
- A Door Pull, V-4LP-EB, is also available for use with this product - PL finish only



Standards:

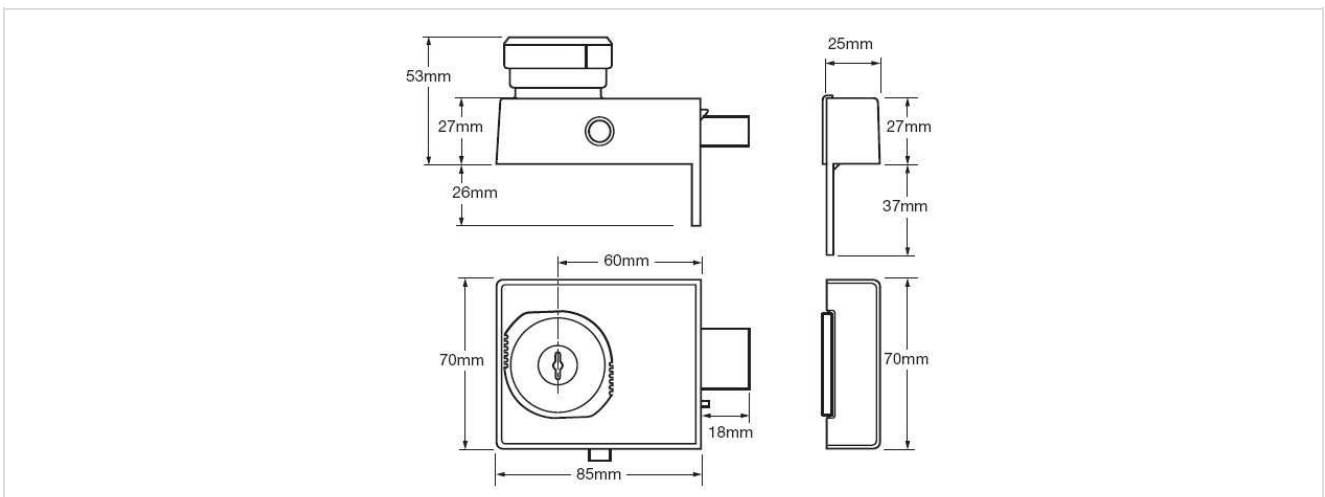
- Kitemarked to BS3621



Finish:

- BLX - Brasslux
- PB - Polished Brass

Technical Design:



Rim Locks - Double Security

4L67E

C-Series BS High Security Rim Lock



ASSA ABLOY

Variants:

Code	Description
V-4L67E-B-PL	4L67E High Security BS Rim Nightlatch (To Differ)
BM-4L67E-PL	4L67E High Security BS Rim Nightlatch (Masterkeyed)
BP-4L67E-EBPL0K	4L67E High Security BS Rim Nightlatch (To Pass)
V-4LP-EB	Door Pull - Visi