

BS 5 Lever

2134E

5 Lever BS 3621:2007 Deadlock

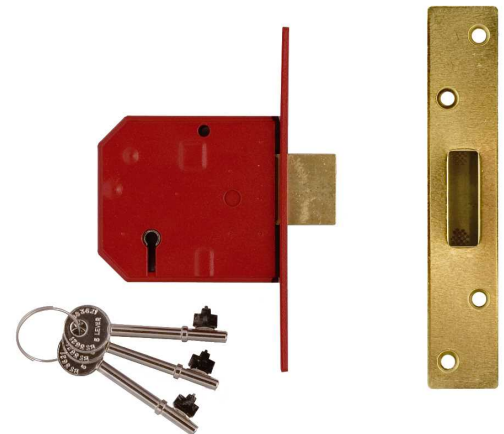


Application:

- For timber doors hinged on the left or right
- Keys are suitable for doors up to 54mm thick

Specification:

- Deadbolt locked or unlocked by key from either side
- Extended 20mm deadbolt for secure positive deadlocking and additional resistance against attack
- 2134E can be keyed alike with 2234E
- **NB:** Not suitable for master keying
- Security box striking plate
- Anti-pick and anti-saw security features
- Available with square forend and locking plate
- Case Size: 67mm (2.5") or 79.5mm (3")
- Backset: 45mm or 57.5mm
- Case: Steel, red powder coat
- Forend: Stainless steel or brass
- Striking Plate: Finished to match forend
- Deadbolt: Brass, with hardened steel rollers
- Latch Bolt: n/a
- Follower: n/a
- Rebate Kit: 2954 (13mm, 19mm or 25mm)
- Keying Groups: May be supplied to pass or differ.
Supplied with 3 steel nickel plated keys
- Key Blank Number: KB430
- Available in SC and PL finishes



Standards:

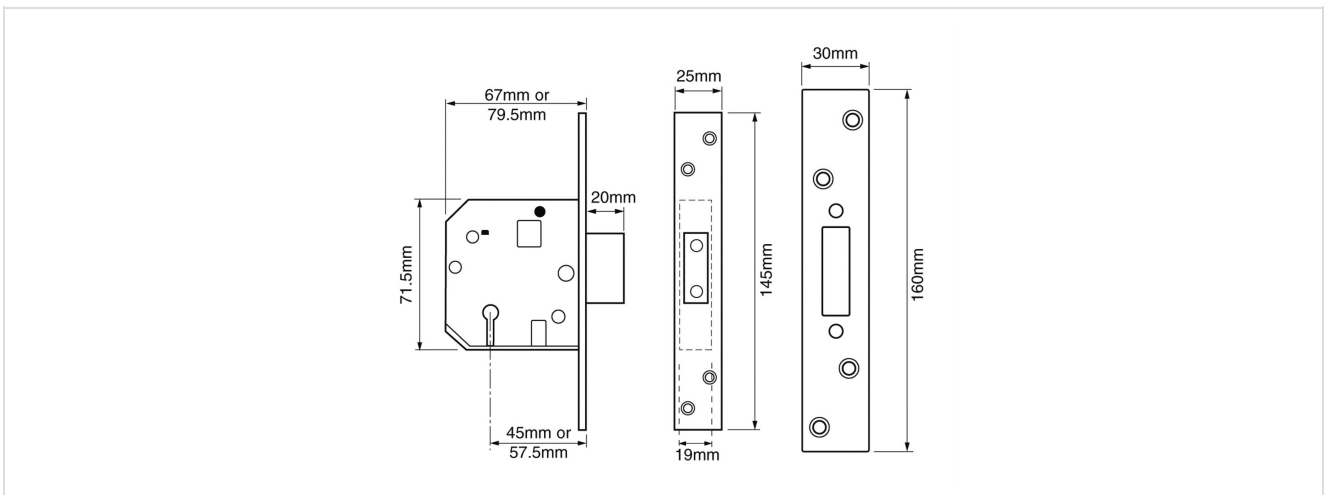
- Tested to BS 3621 : 2007
- | | | | | | | | | | | |
|---|---|---|---|---|---|---|---|---|---|---|
| 2 | H | 4 | 1 | 0 | F | 7 | K | D | 0 | V |
|---|---|---|---|---|---|---|---|---|---|---|
- EN 1634-1 assessed for use on 60 minutes timber fire doors
 - EC Certificate number: 0832-CPD-6038



Finish:

- SC- Satin Chrome finish
- PL - Polished Brass finish

Technical Design:



BS 5 Lever

2134E

5 Lever BS 3621:2007 Deadlock



ASSA ABLOY

Variants:

Code	Description
J2134E-PL-2.50	5-LEVER MORTICE DEADLOCK
J2134E-PL-3.00	5-LEVER MORTICE DEADLOCK
J2134E-SC-2.50	5-LEVER MORTICE DEADLOCK
J2134E-SC-3.00	5-LEVER MORTICE DEADLOCK
Y2134E-PL-2.50	5-LEVER MORTICE DEADLOCK - Visi
Y2134E-PL-3.00	5-LEVER MORTICE DEADLOCK - Visi
Y2134E-SC-2.50	5-LEVER MORTICE DEADLOCK - Visi
Y2134E-SC-3.00	5-LEVER MORTICE DEADLOCK - Visi
JP2134E-PL-2.50	5-LEVER MORTICE DEADLOCK - To Pass
JP2134E-PL-3.00	5-LEVER MORTICE DEADLOCK - To Pass
JP2134E-SC-2.50	5-LEVER MORTICE DEADLOCK - To Pass
JP2134E-SC-3.00	5-LEVER MORTICE DEADLOCK - To Pass